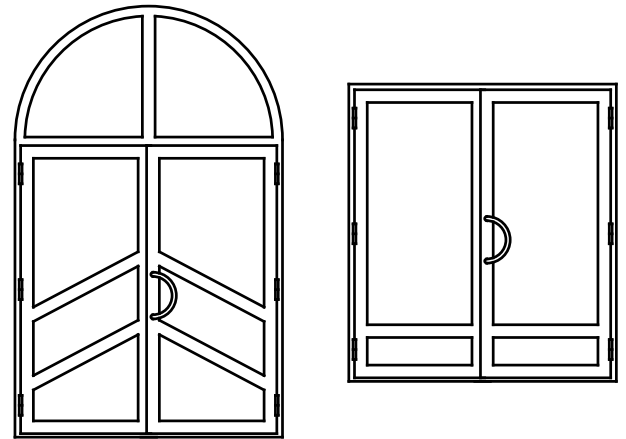
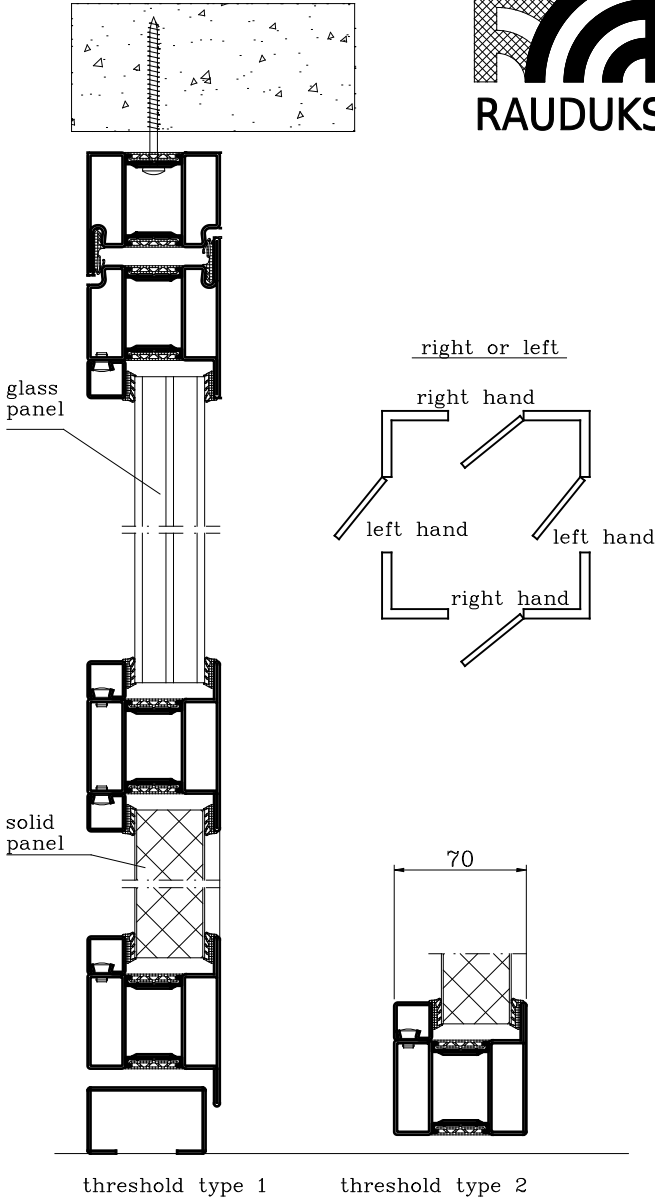
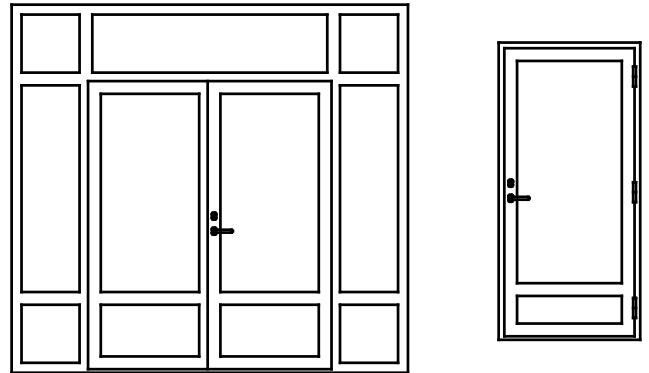


Rauduks OÜ	koostas:	A. Murde	tähis:	P07J06
Steel profile external door K-2	kinnitas:	A. Orumaa	lehti:	1
	kehtib alates:	01.06.2015	leht:	1



Applications:	
External doors and windows	
Features:	
Max. width of the frame	3000 mm
Max. height of the frame	2200 mm
Thickness	1,8 mm
Steel profile	Forster UNICO
	- cold rolled
	- galvanized
	- stainless
Fire resistance	-
U-value	$U > 1.4$
Sound insulation	up to 47 dB
Burglar resistance	EN 1627 RC 1-3
Threshold	1,5 mm stainless
Finish	Powder Coating
Air Vent	yes
Glass Panel	yes
Max. thickness of the glass	35 mm
Lock types	all common types

